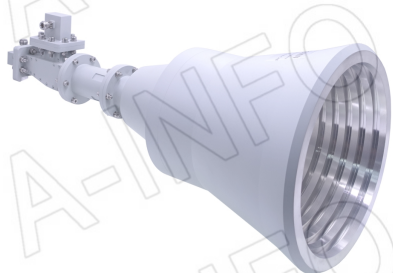


For reference only. See data sheet for the detailed specifications.

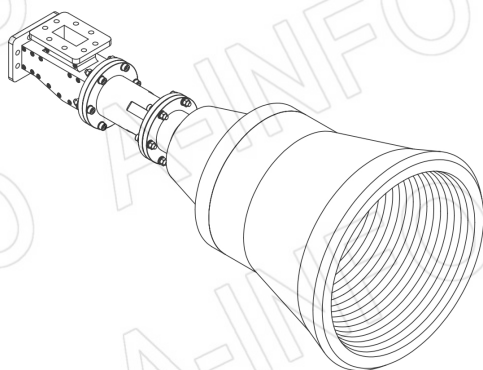
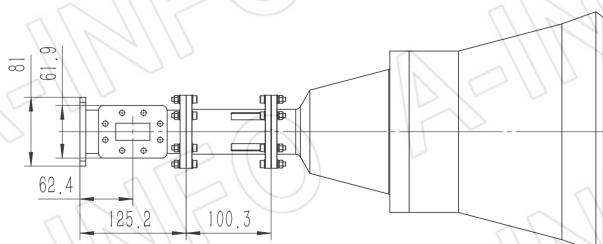
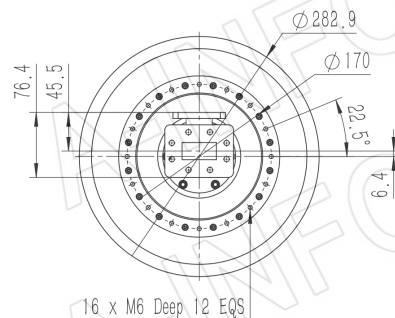
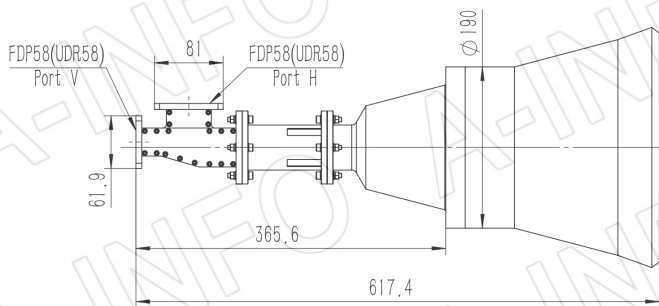
### Technical Specification



Frequency Range(GHz)	5.20 – 5.60
Waveguide	WR159
Gain(dBi)	20 Typ.
Polarization	Dual Linear
3dB Beamwidth(deg)	E Plane: 17 Typ.
	H Plane: 17 Typ.
Cross Pol. Isolation(dB)	45 Typ.
Port to Port Isolation(dB)	50 Typ. ; 40 Min.
VSWR	A Type: 1.40:1 Typ.
	C Type: 1.40:1 Typ.
Output	A Type: FDP58(UDR58)
	C Type: N-Female or SMA-Female or TNC-Female or 7mm or 3.5mm-Female
Material	Al
Finish	Chemical Conversion Coating, Gray Paint
Size(mm)	A Type: 282.9 x 282.9 x 617.4
	C Type: 282.9 x 282.9 x 667.4
Net Weight(Kg)	A Type: 9.75 Around
	C Type: 10.20 Around

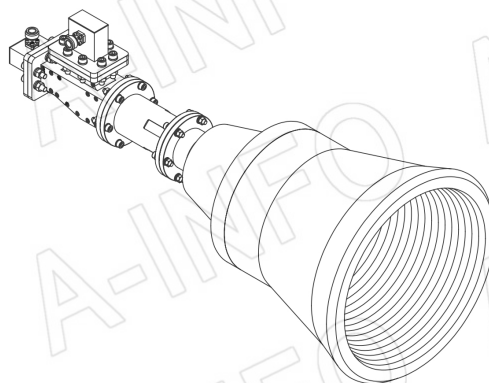
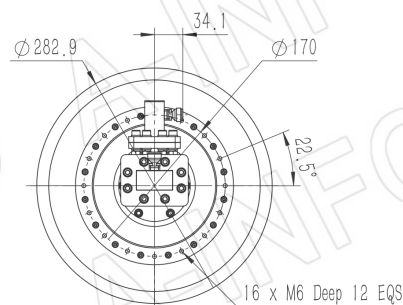
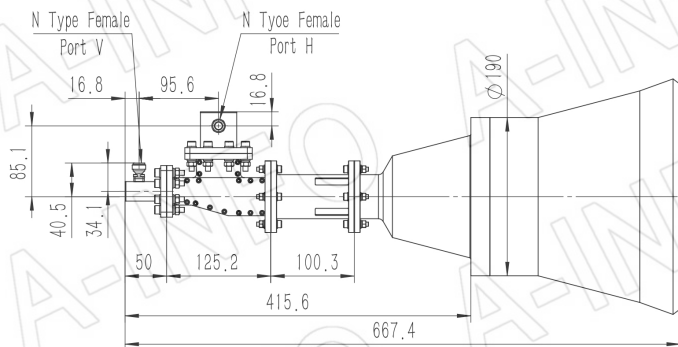
## Outline Drawing (Size: mm)

FDP58 Output (P/N: LB-CH-159-20-T06A-A)



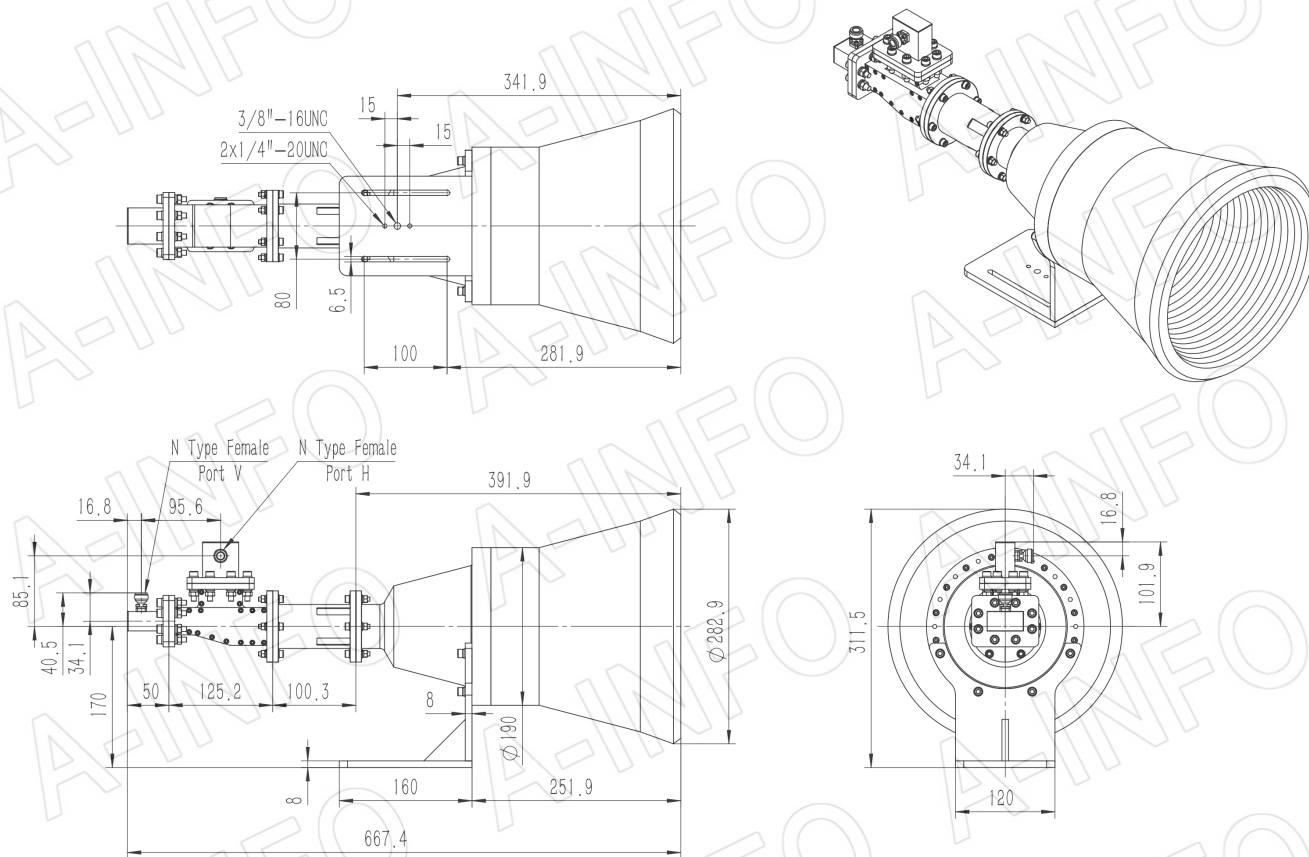
## N-Female Output (P/N: LB-CH-159-20-T06A-C-NF)

For SMA-Female, TNC- Female, 7mm or 3.5mm-Female output outline drawing, please contact A-INFO.

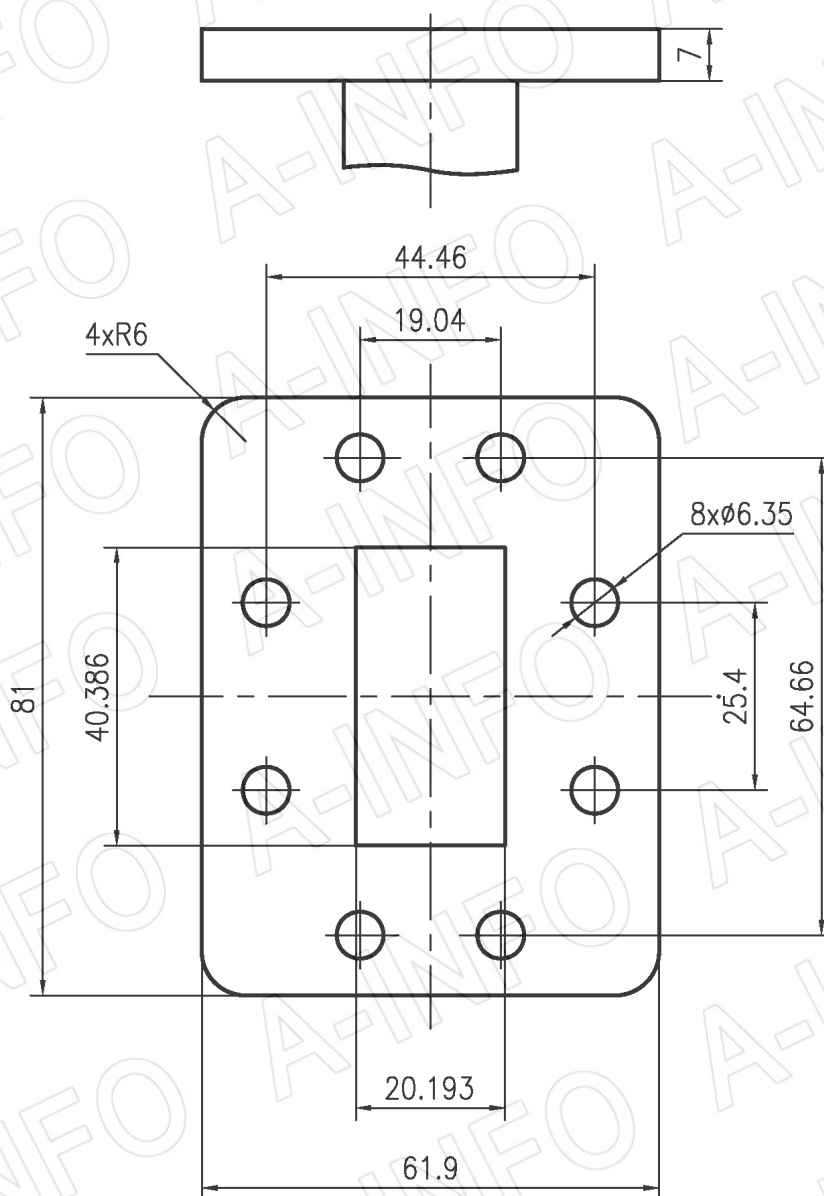


## N-Female Output with L Type Mounting Bracket (Option, P/N:LB-CH-159-20-L)

For SMA-Female, TNC- Female, 7mm or 3.5mm-Female output outline drawing, please contact A-INFO.



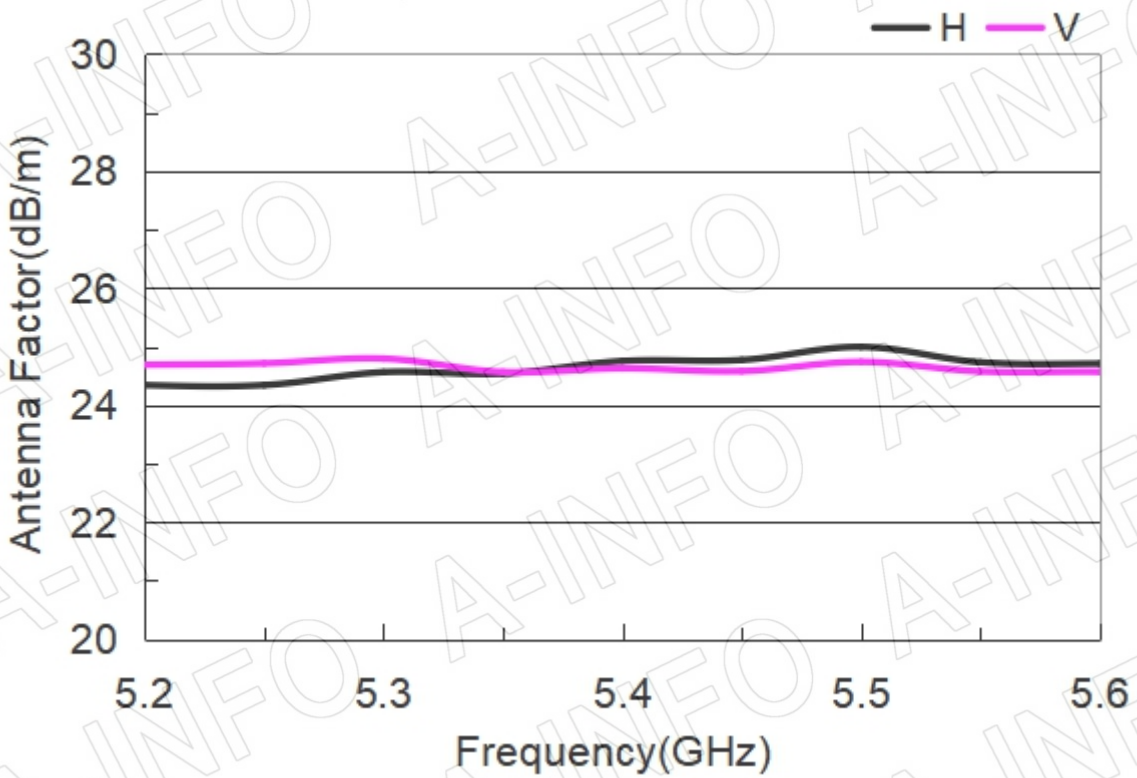
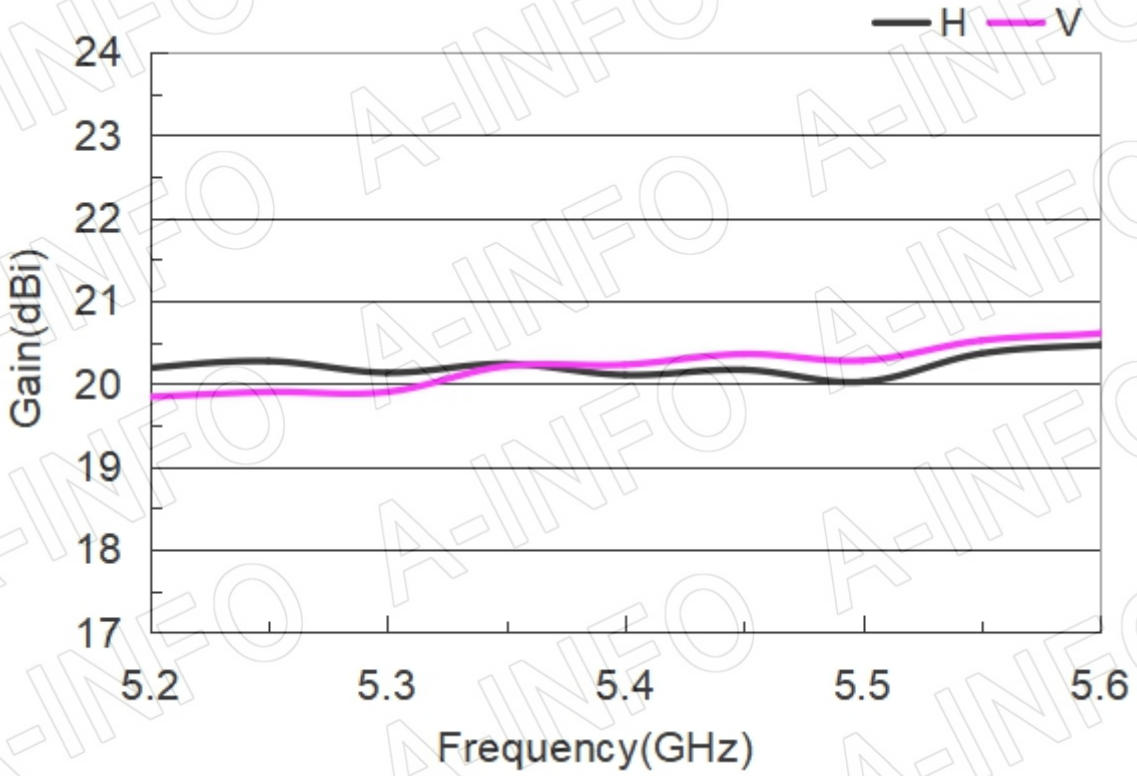
## Flange Drawing (Size: mm)



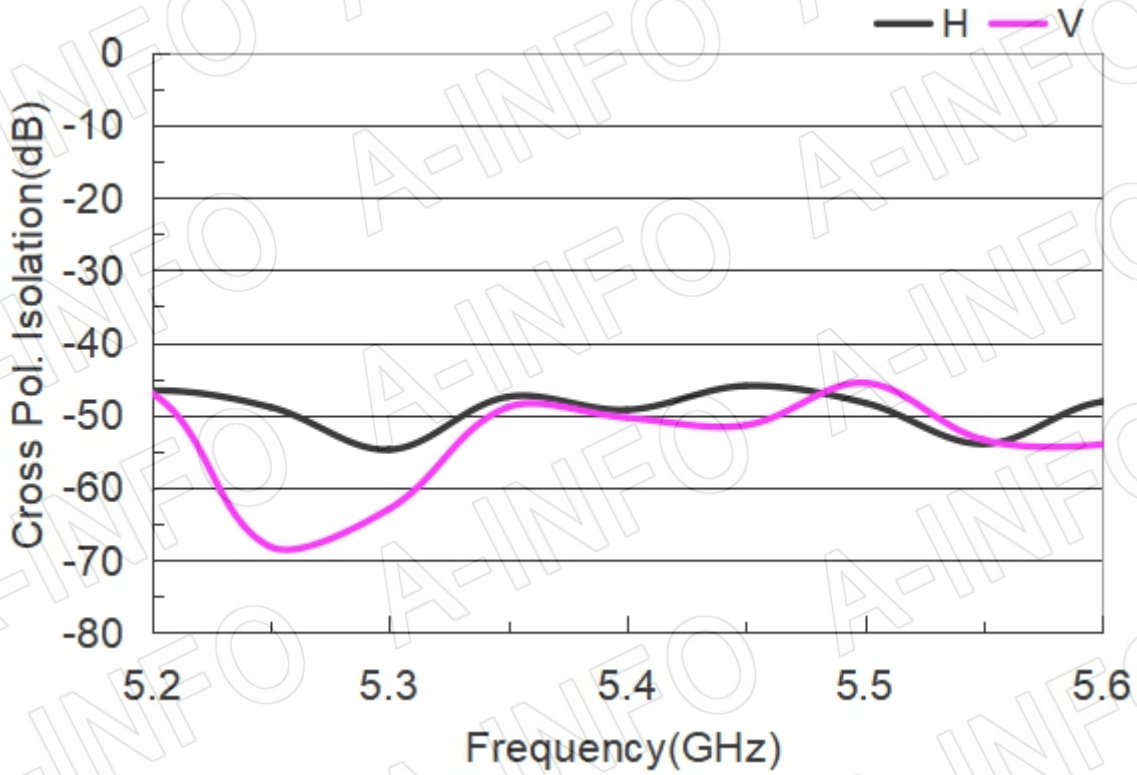
### FDP58

## Test Results

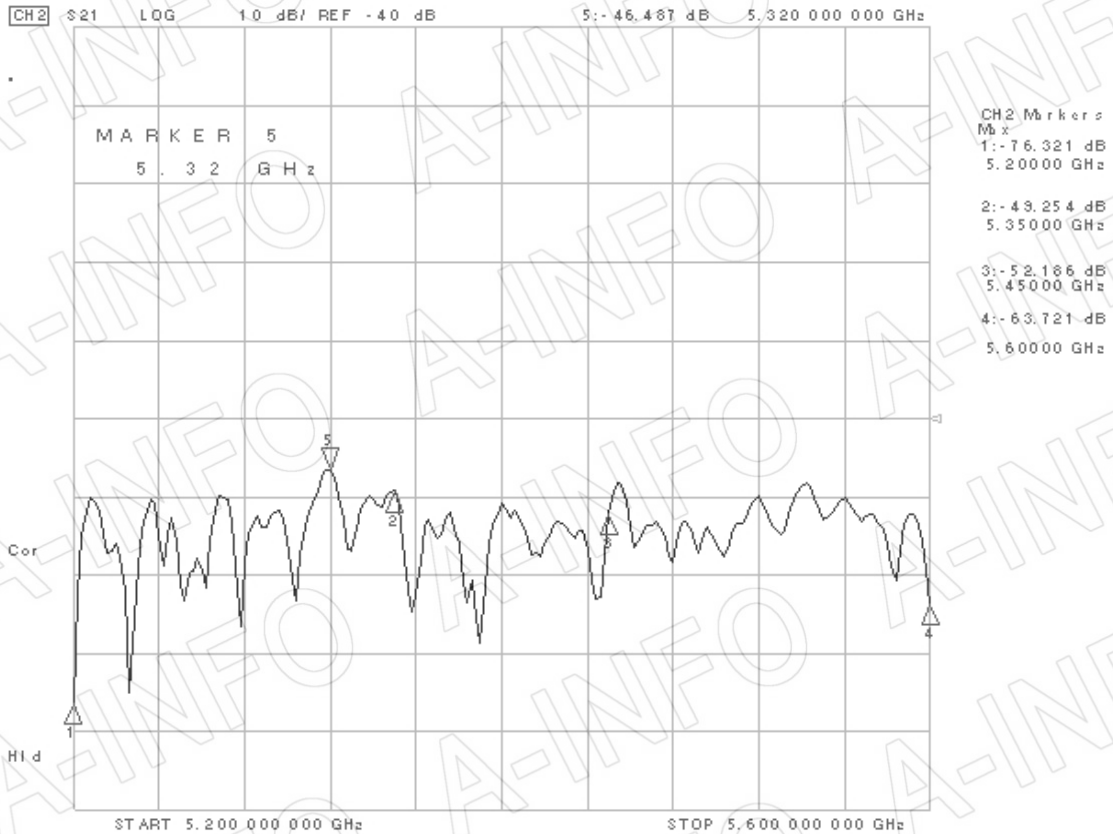
### 1. Gain & Antenna Factor



## 2. Cross Polarization Isolation

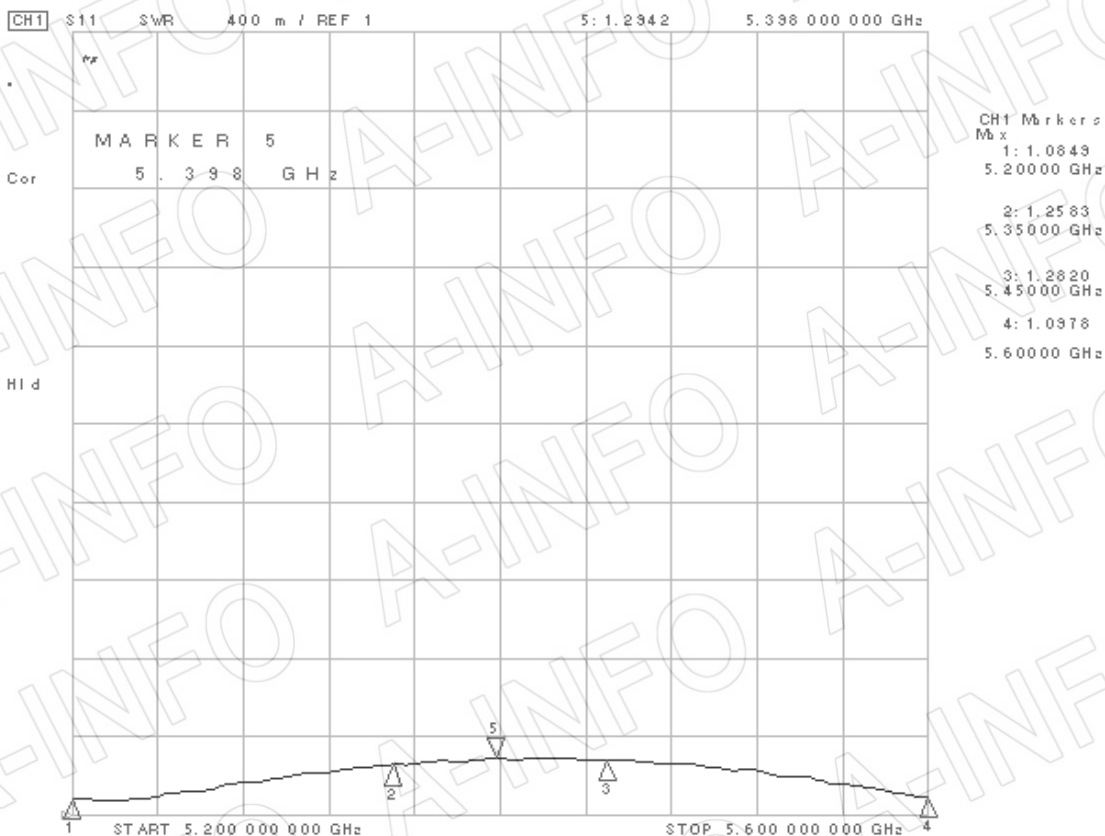


## 3. Port to Port Isolation

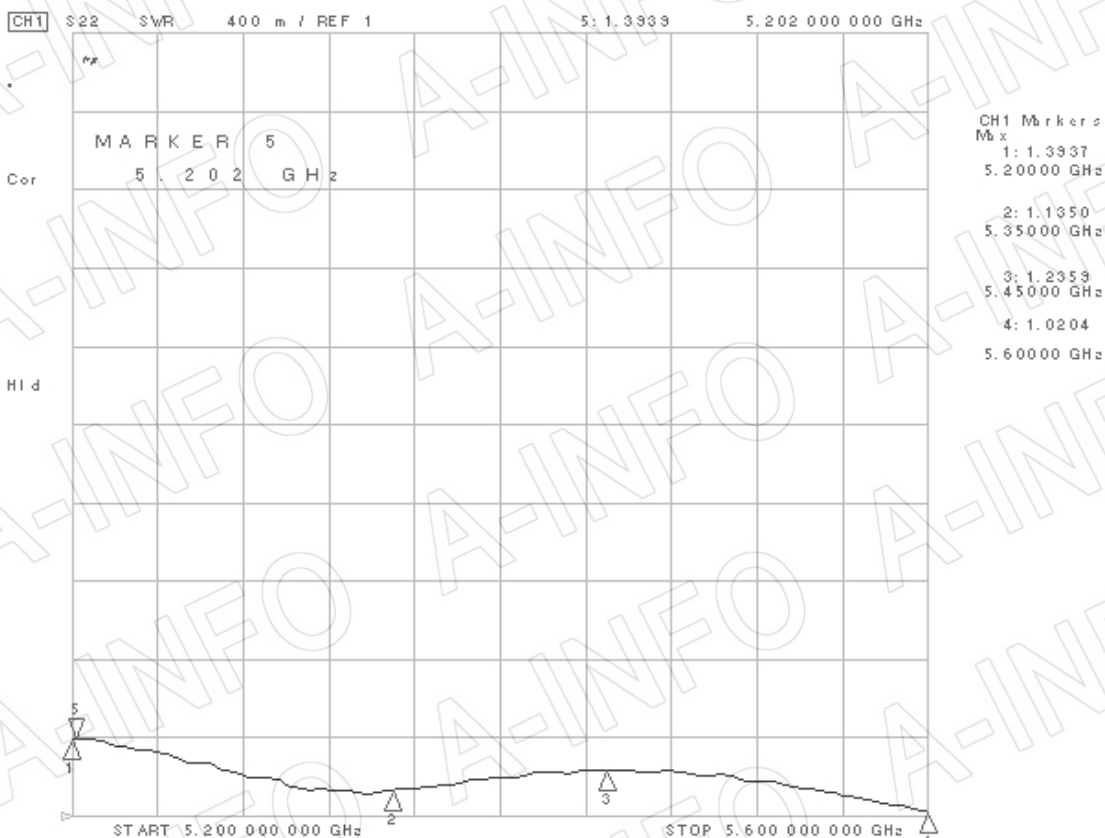


### 4. VSWR\_A Type

#### Port-H

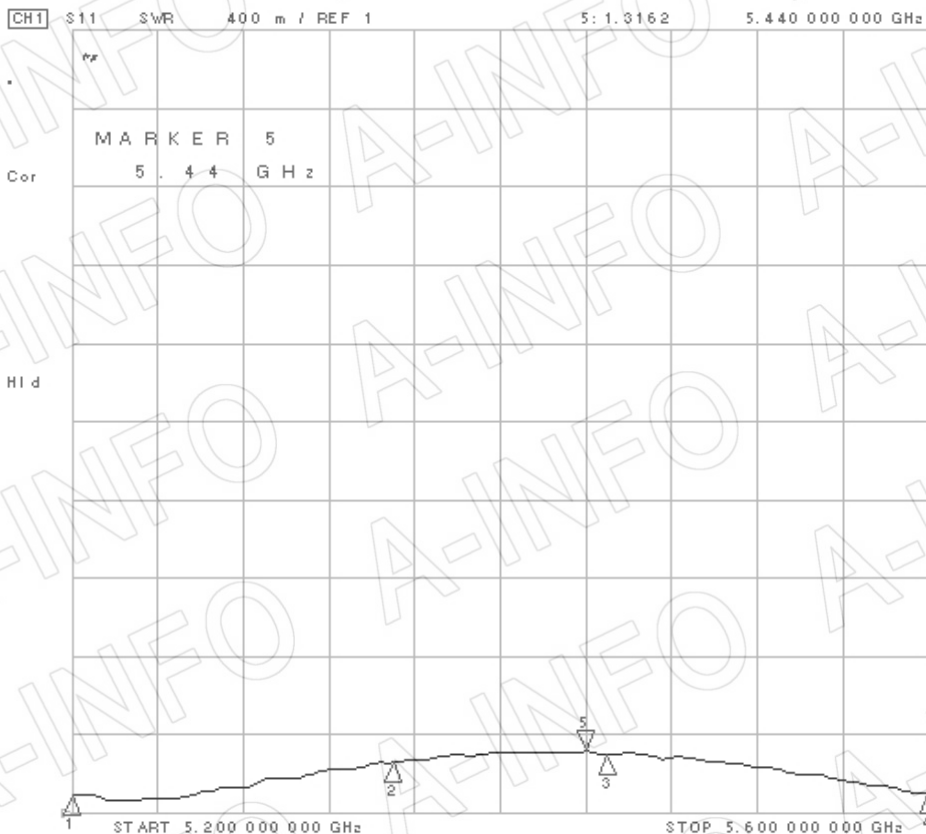


#### Port-V

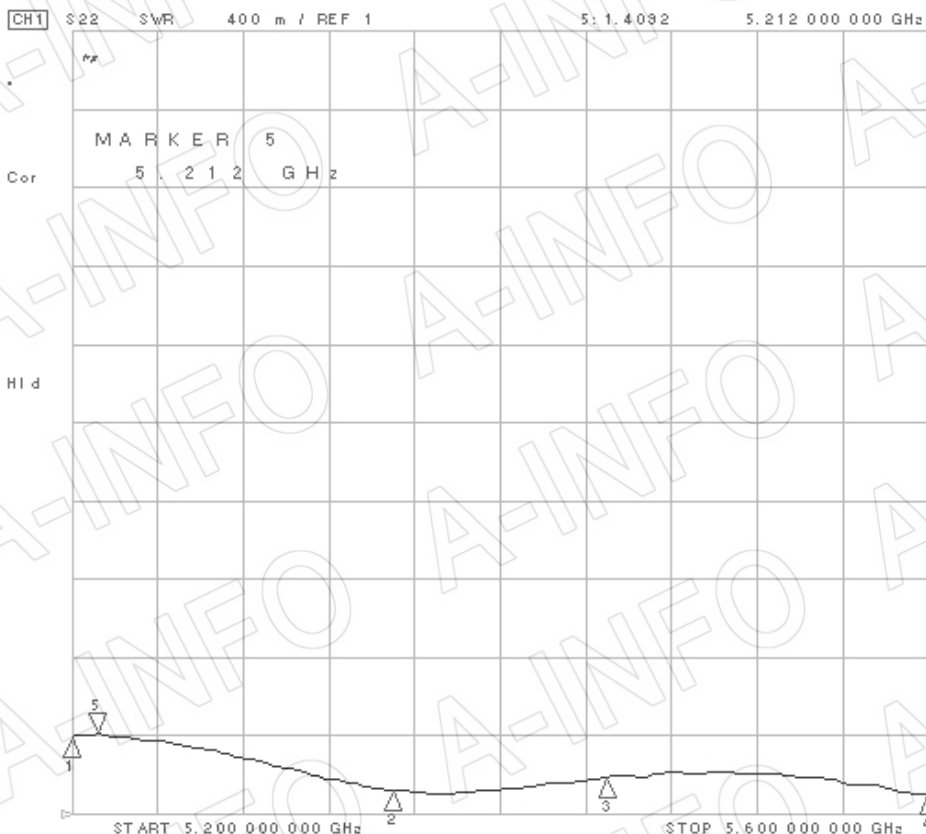


### VSWR\_C Type

#### Port-H



#### Port-V





## 5. Pattern

